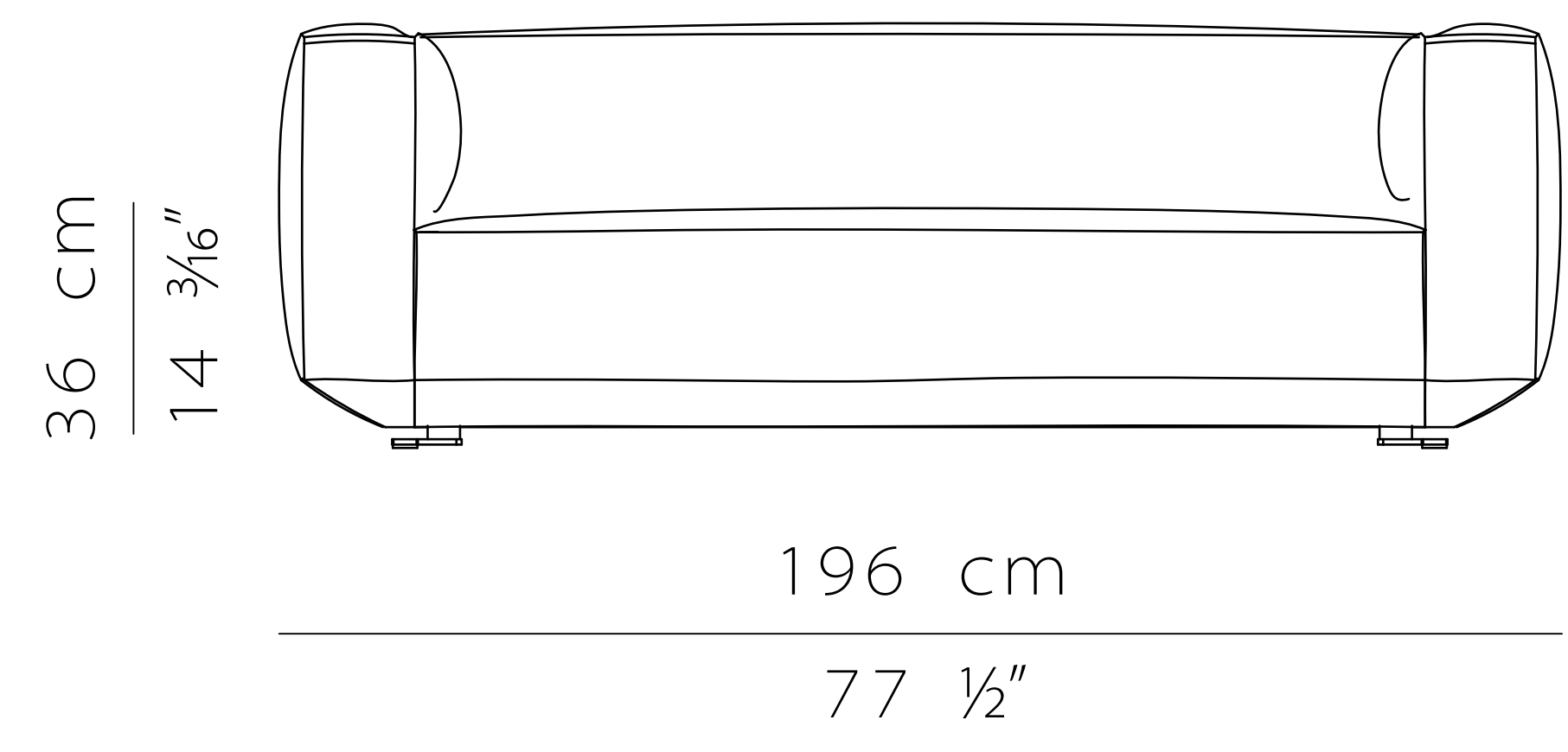
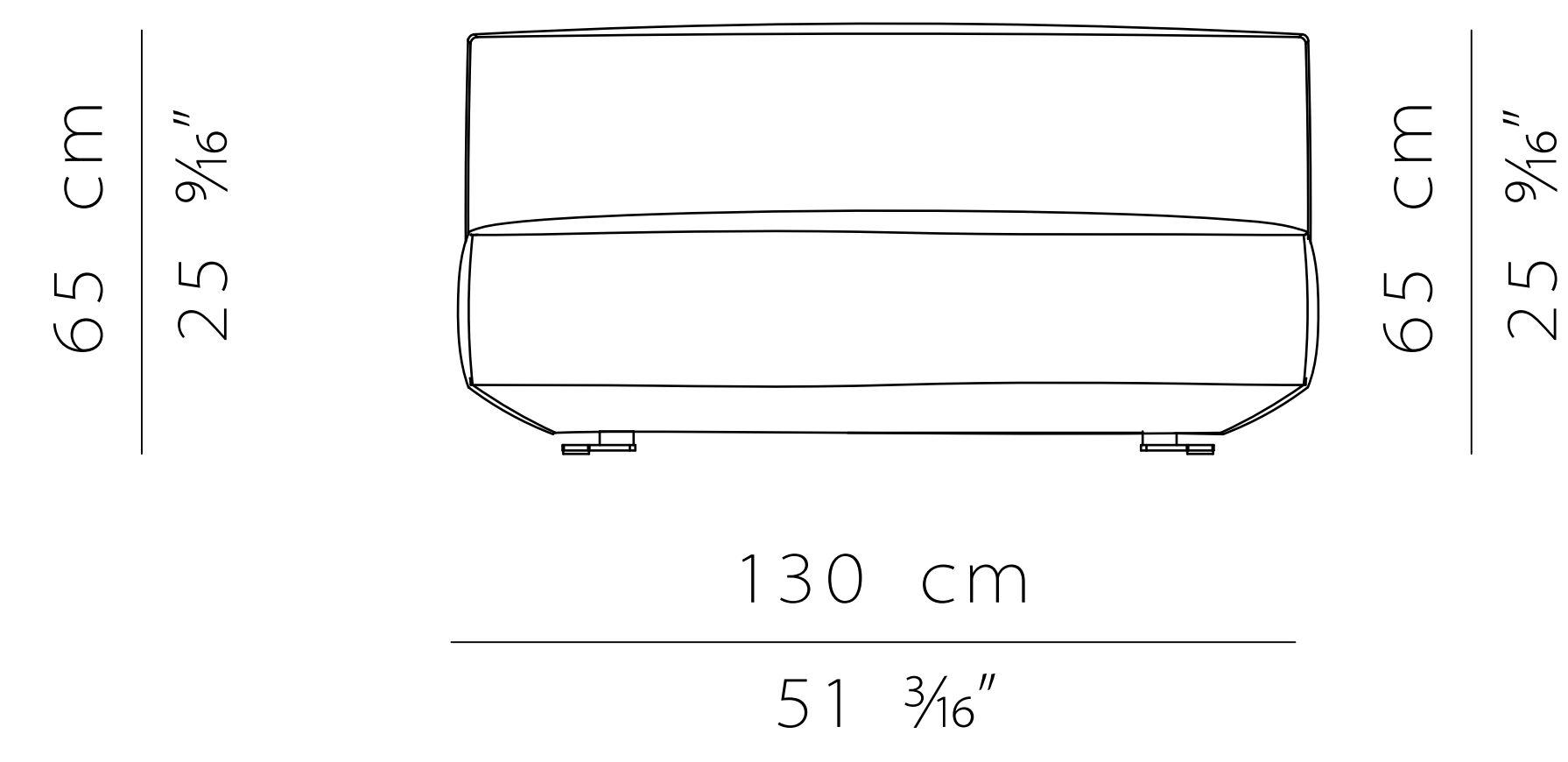


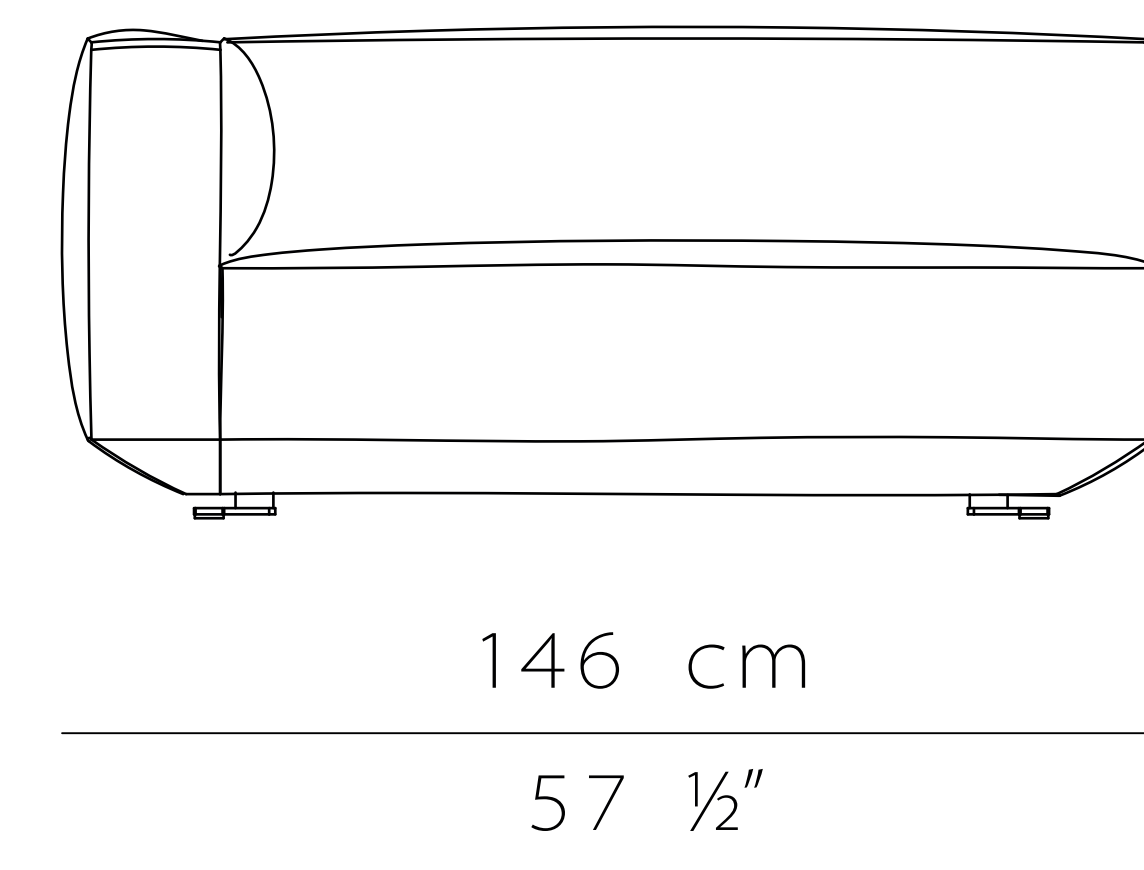
302



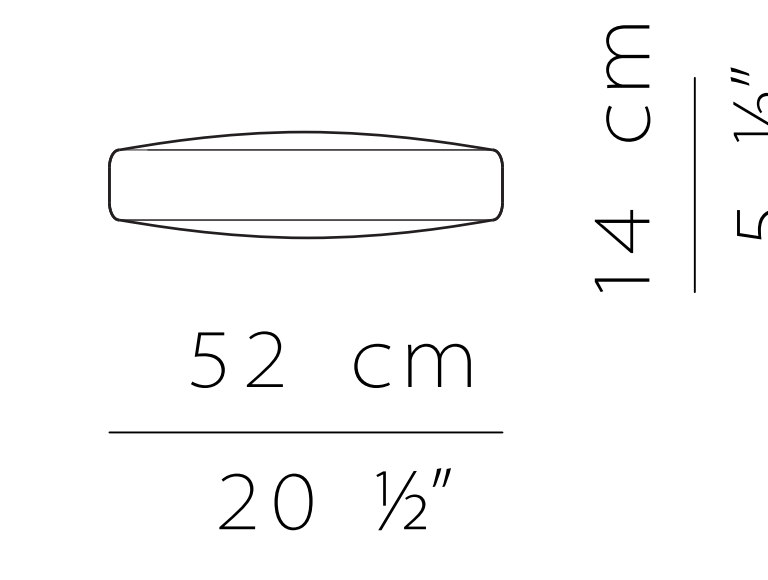
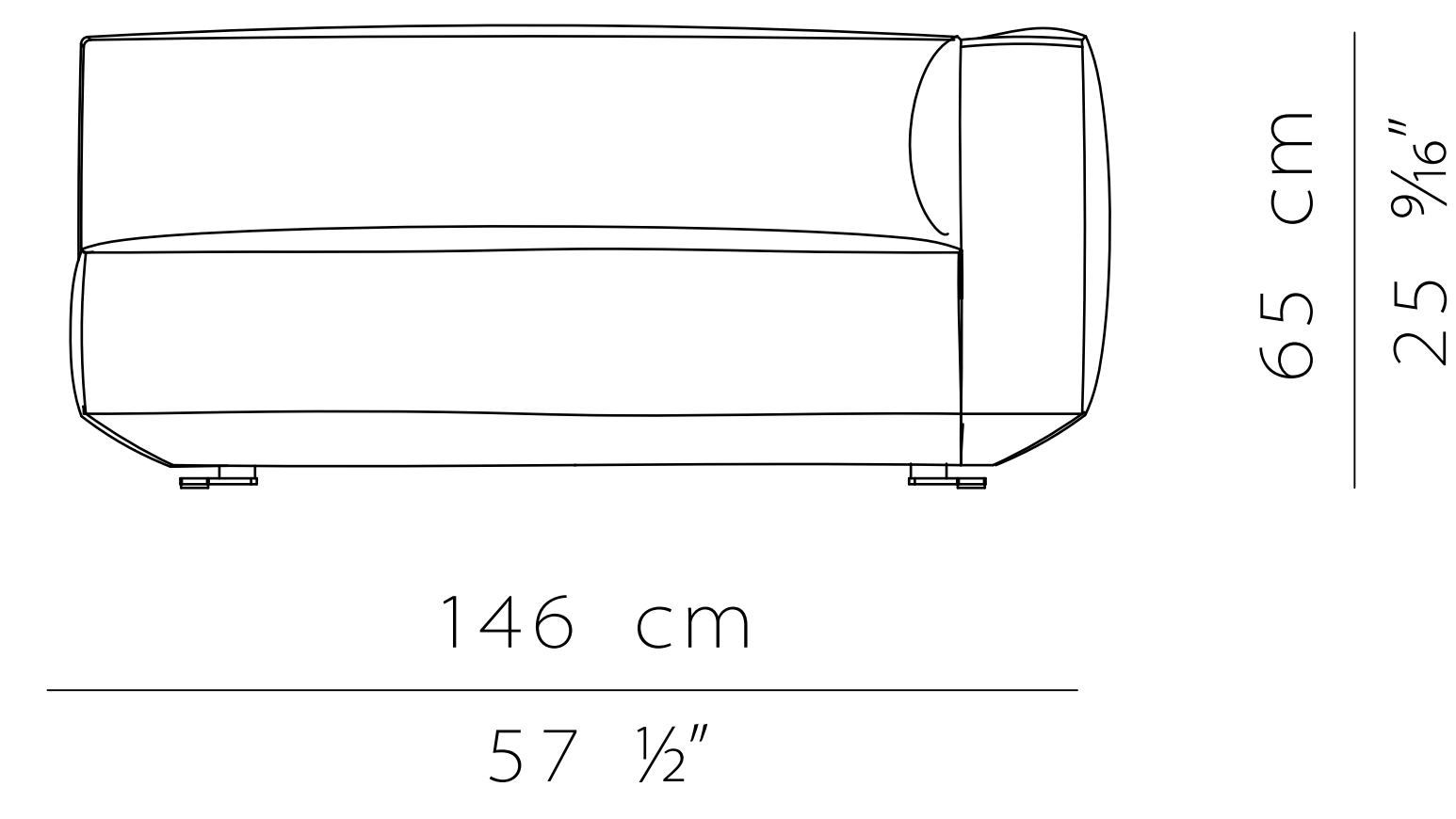
212



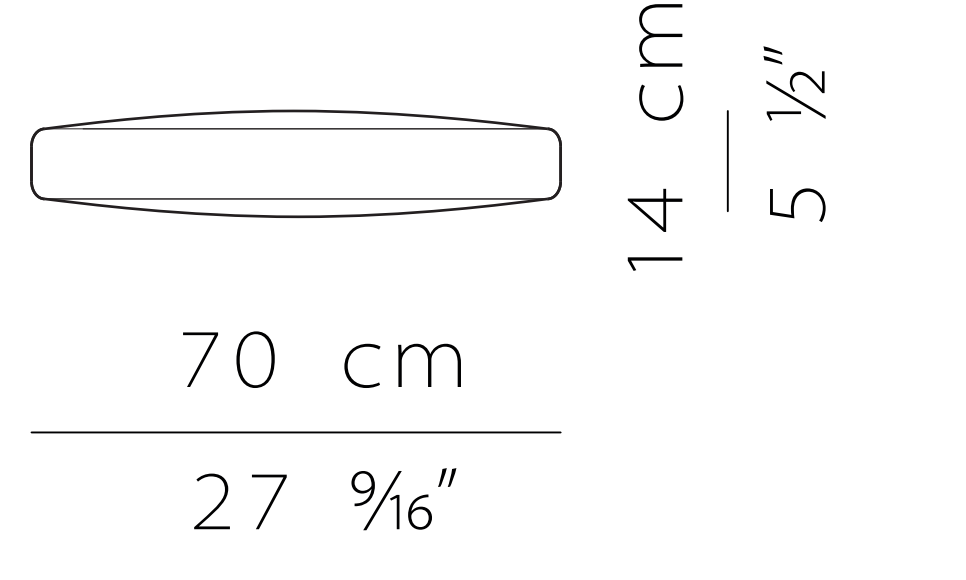
200



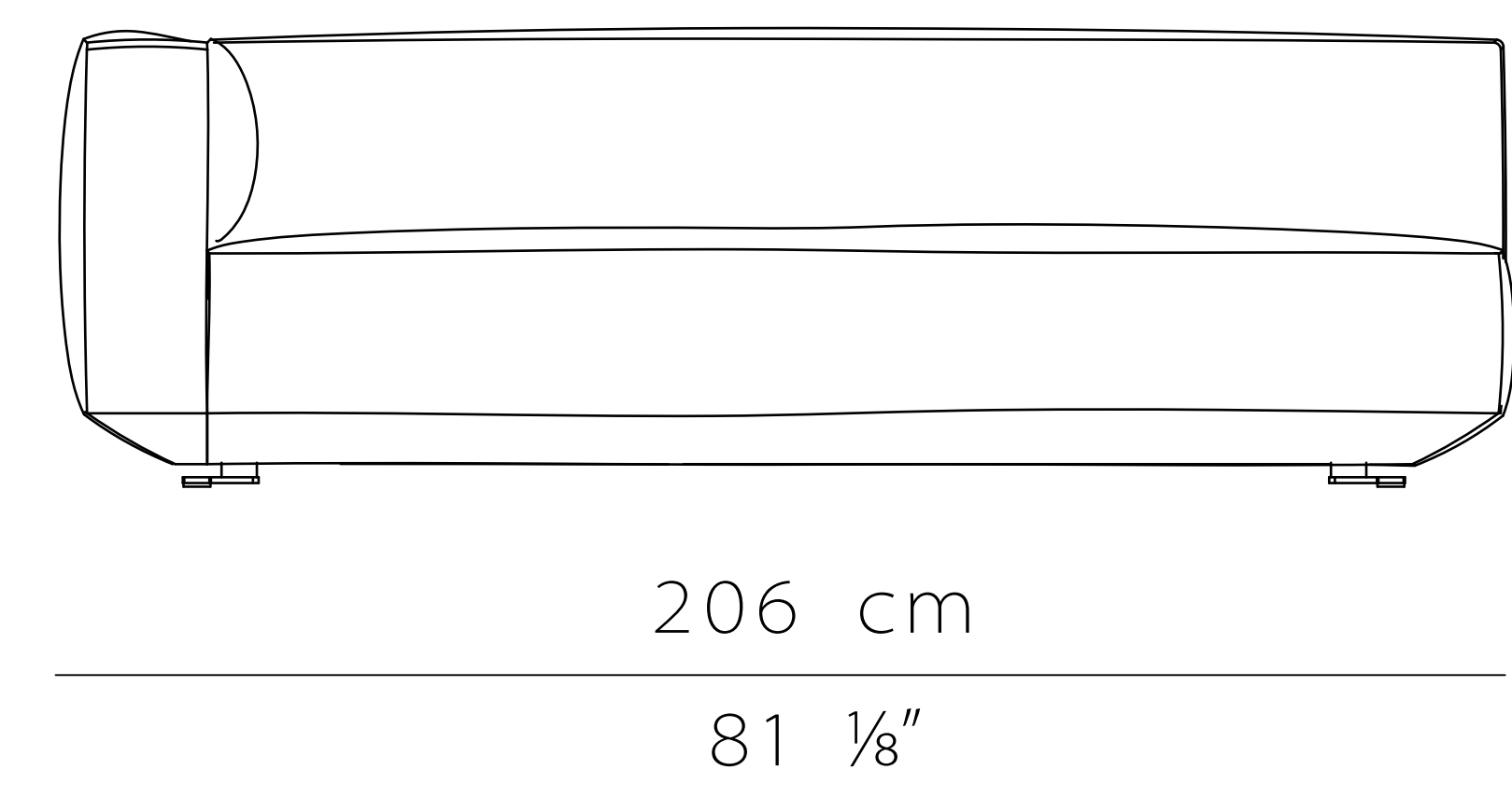
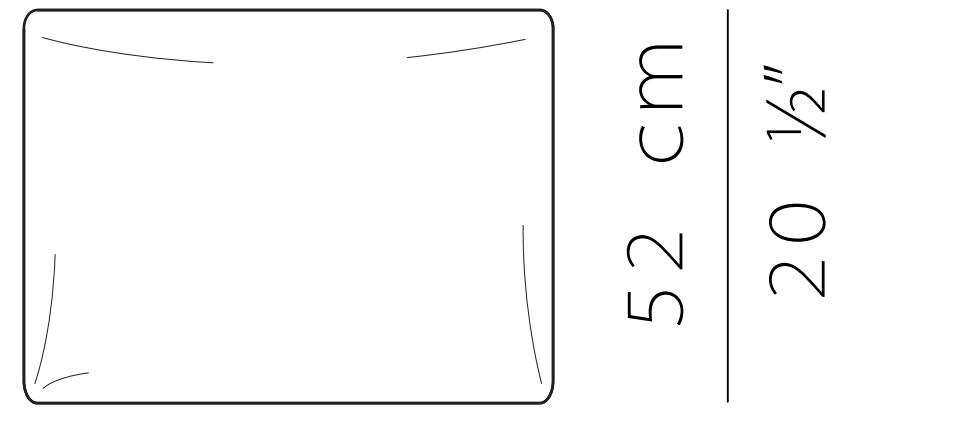
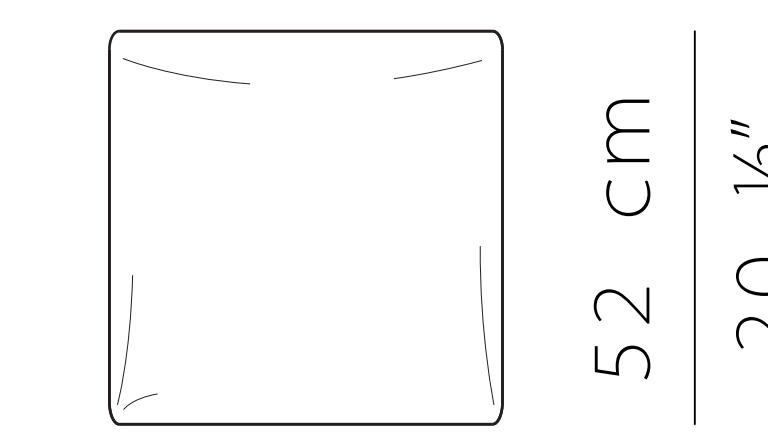
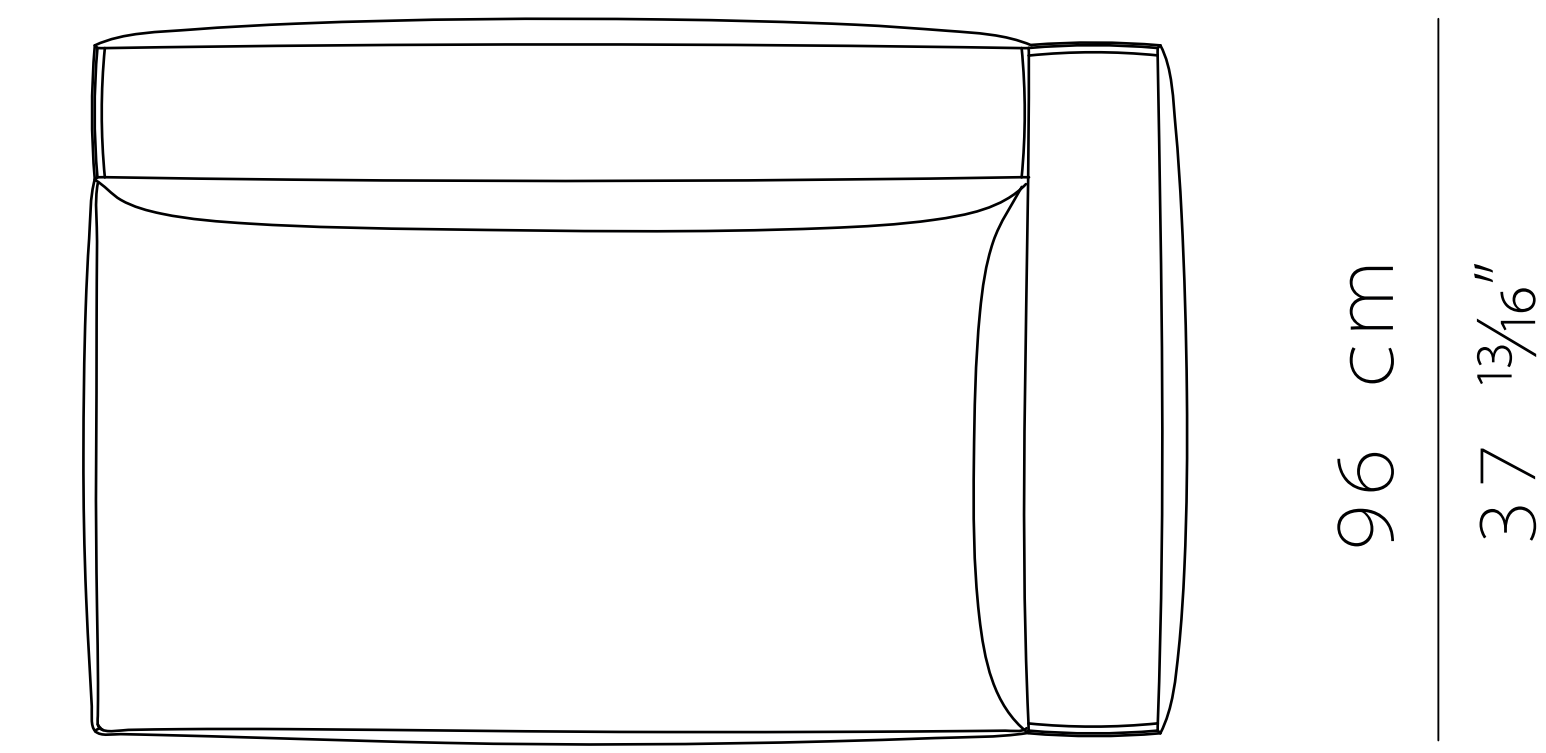
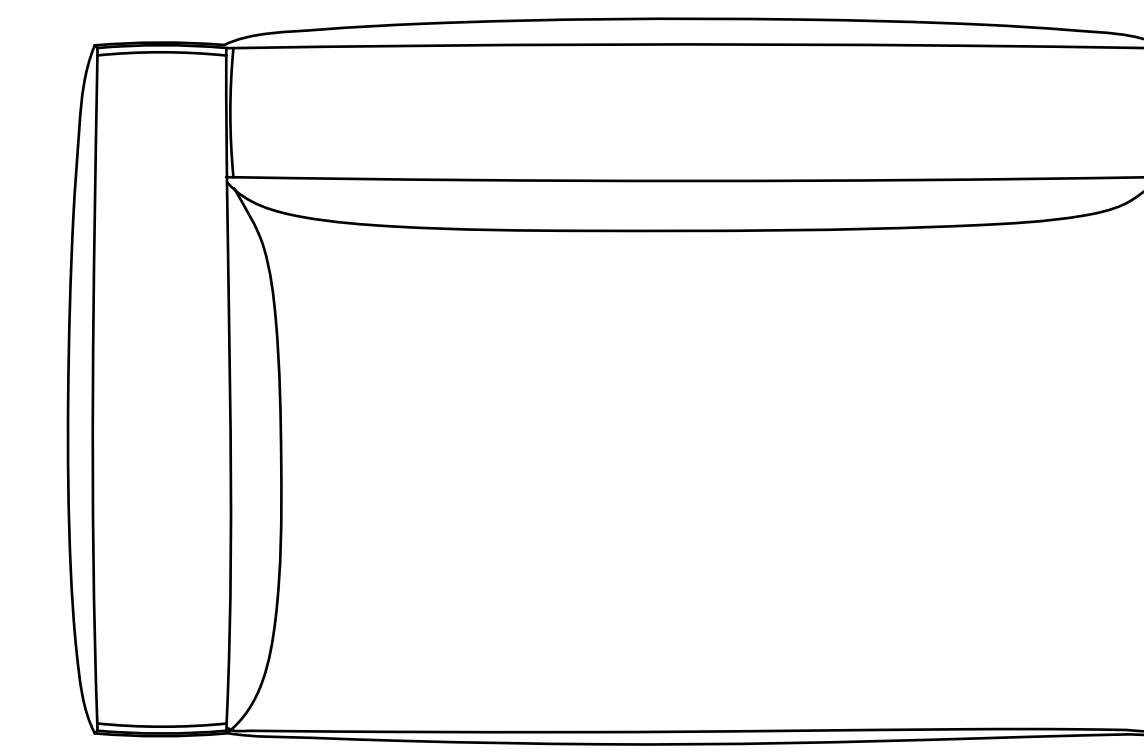
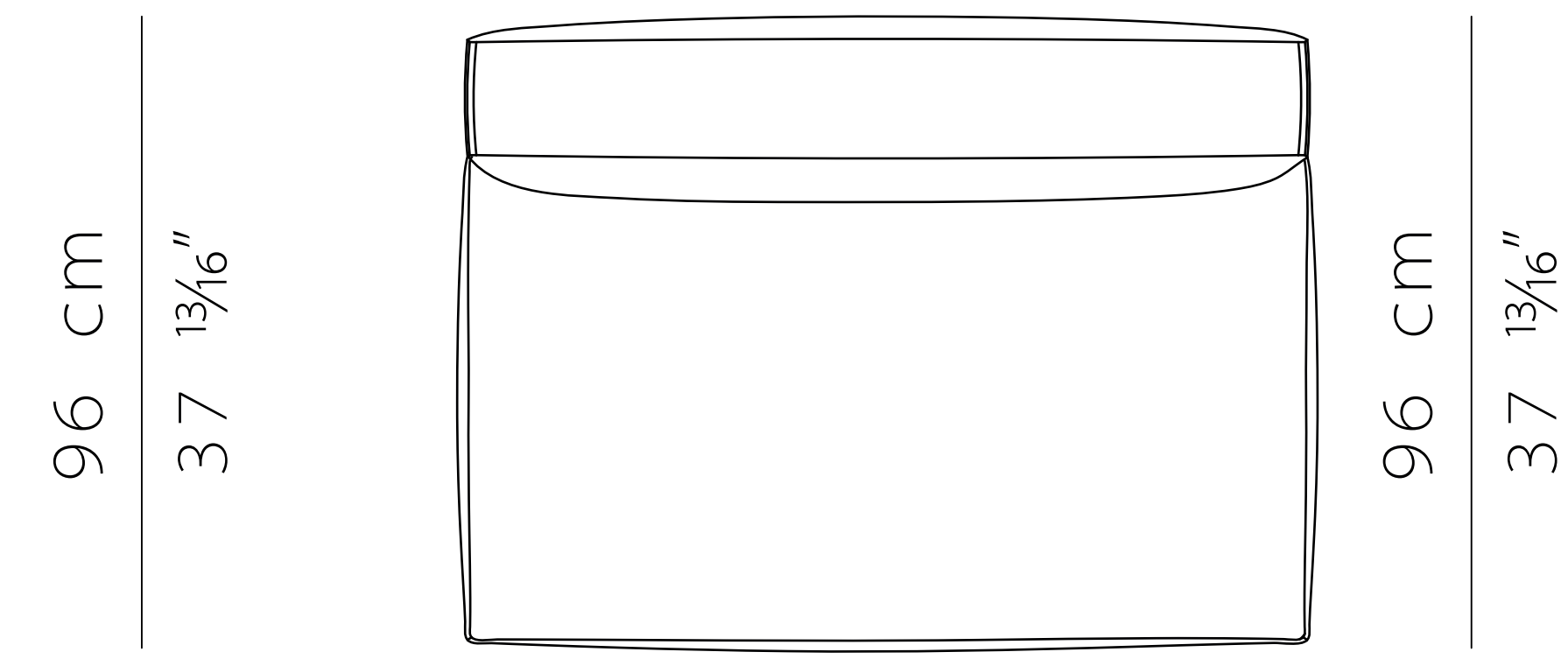
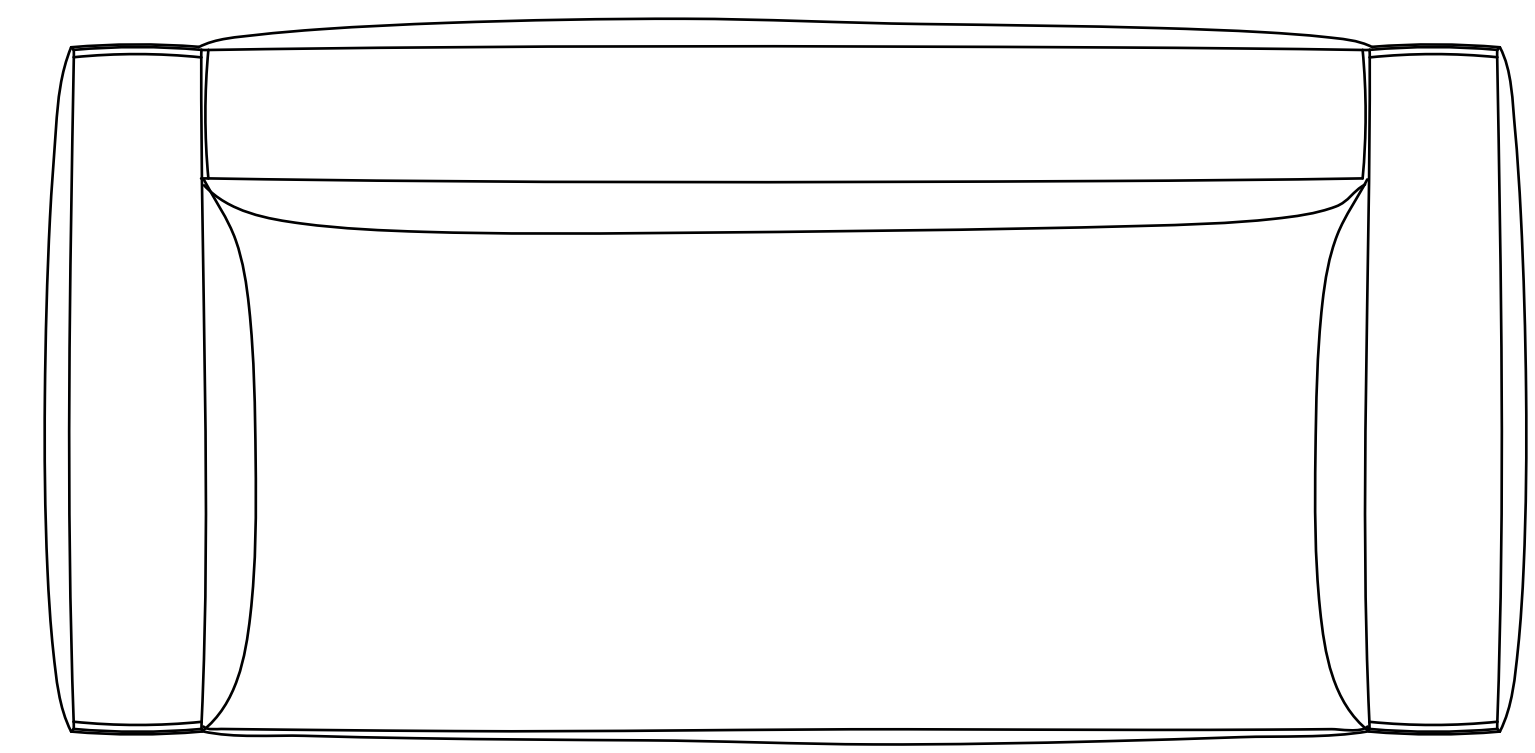
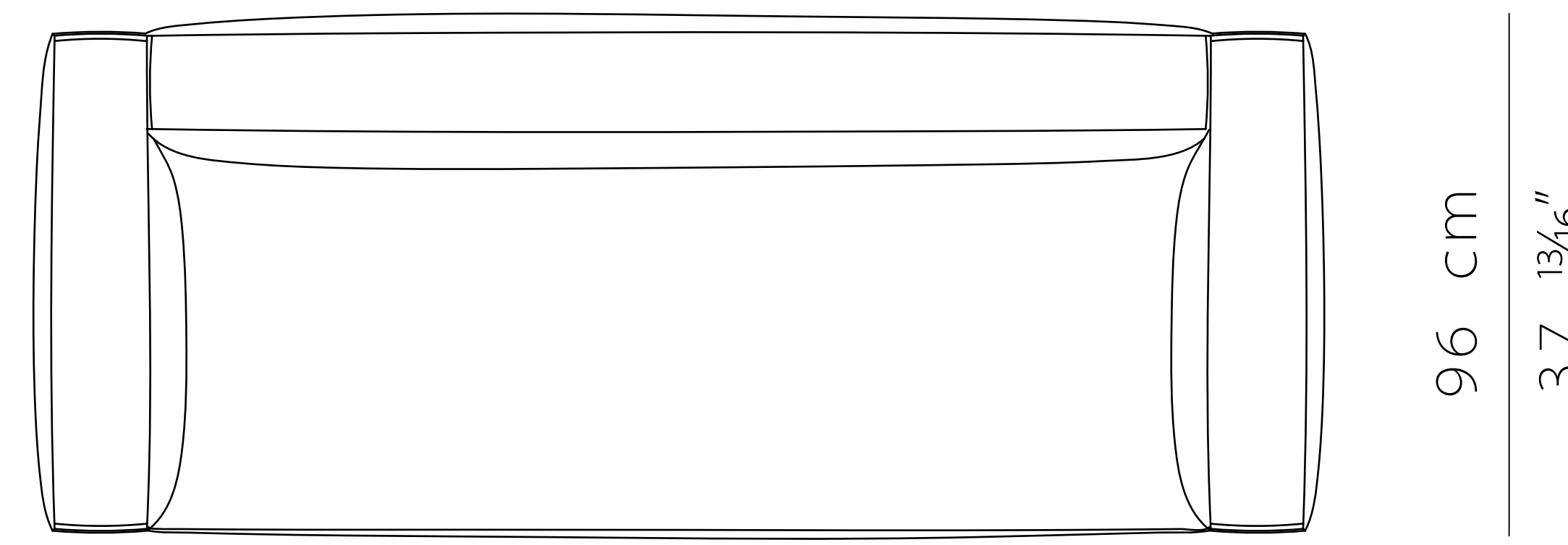
201



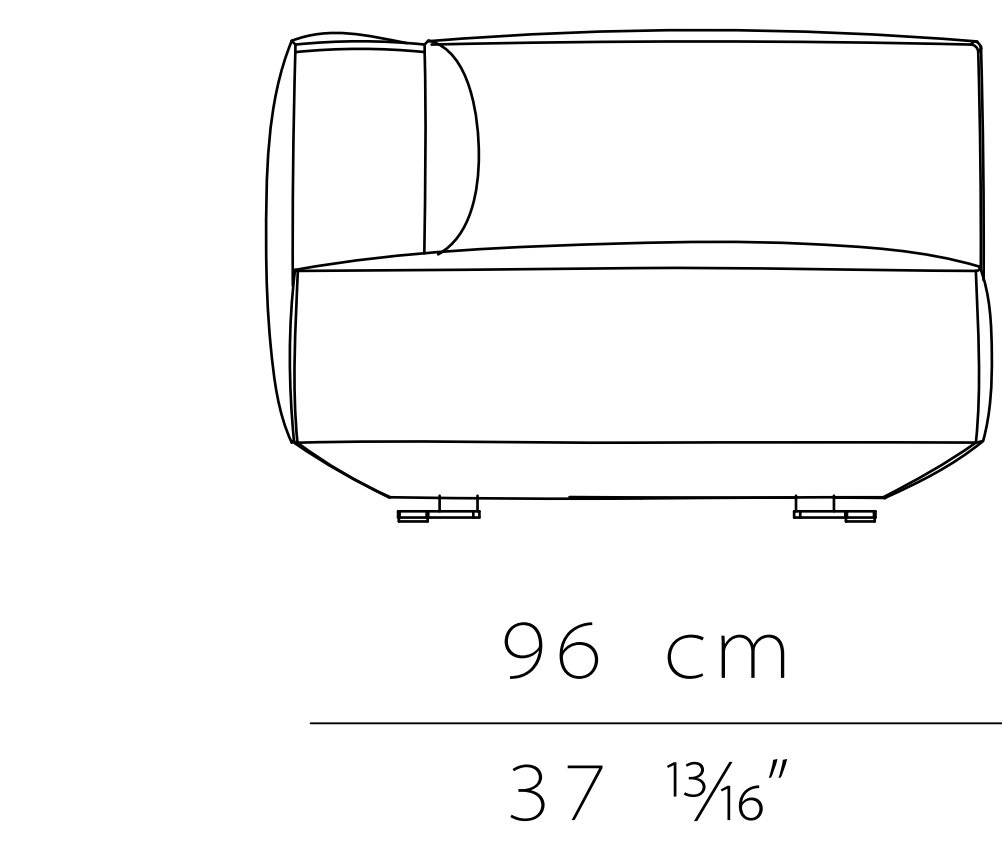
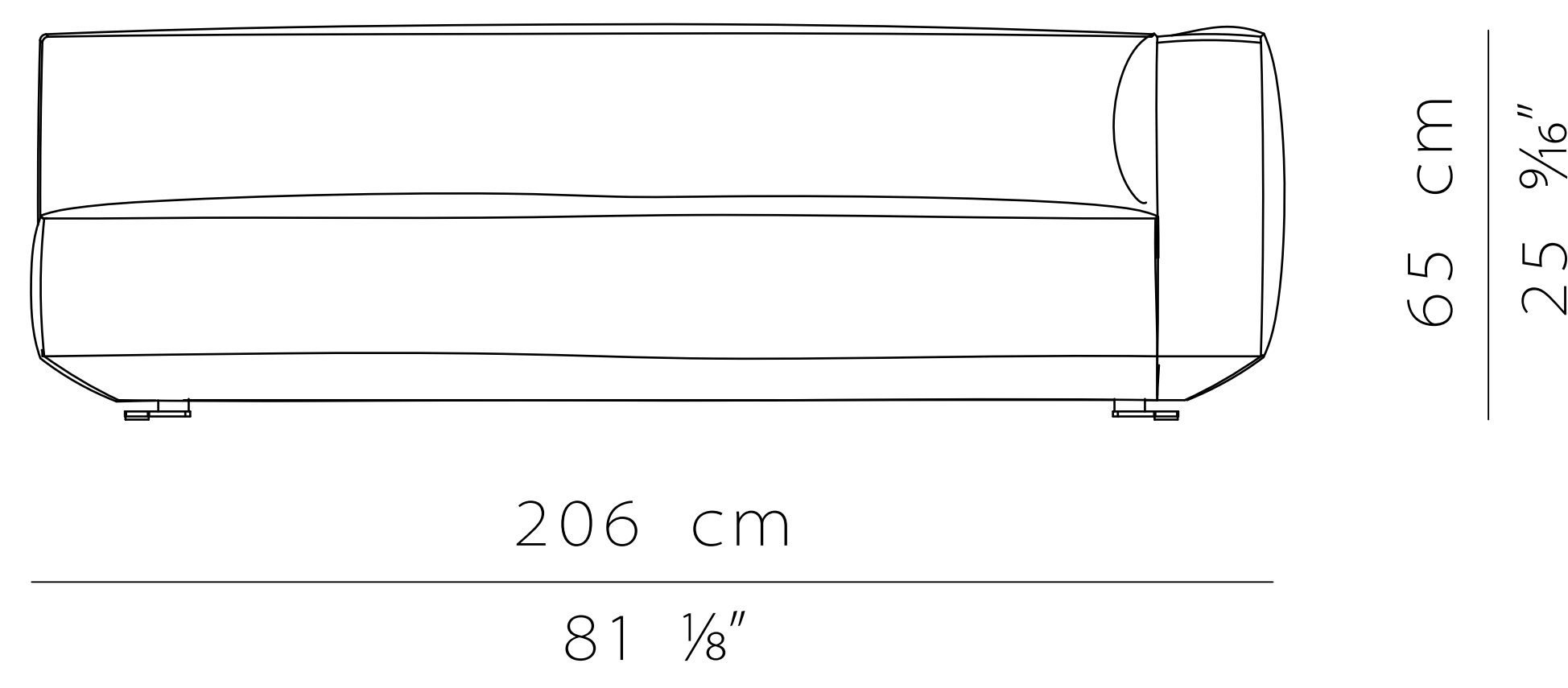
1273/52C



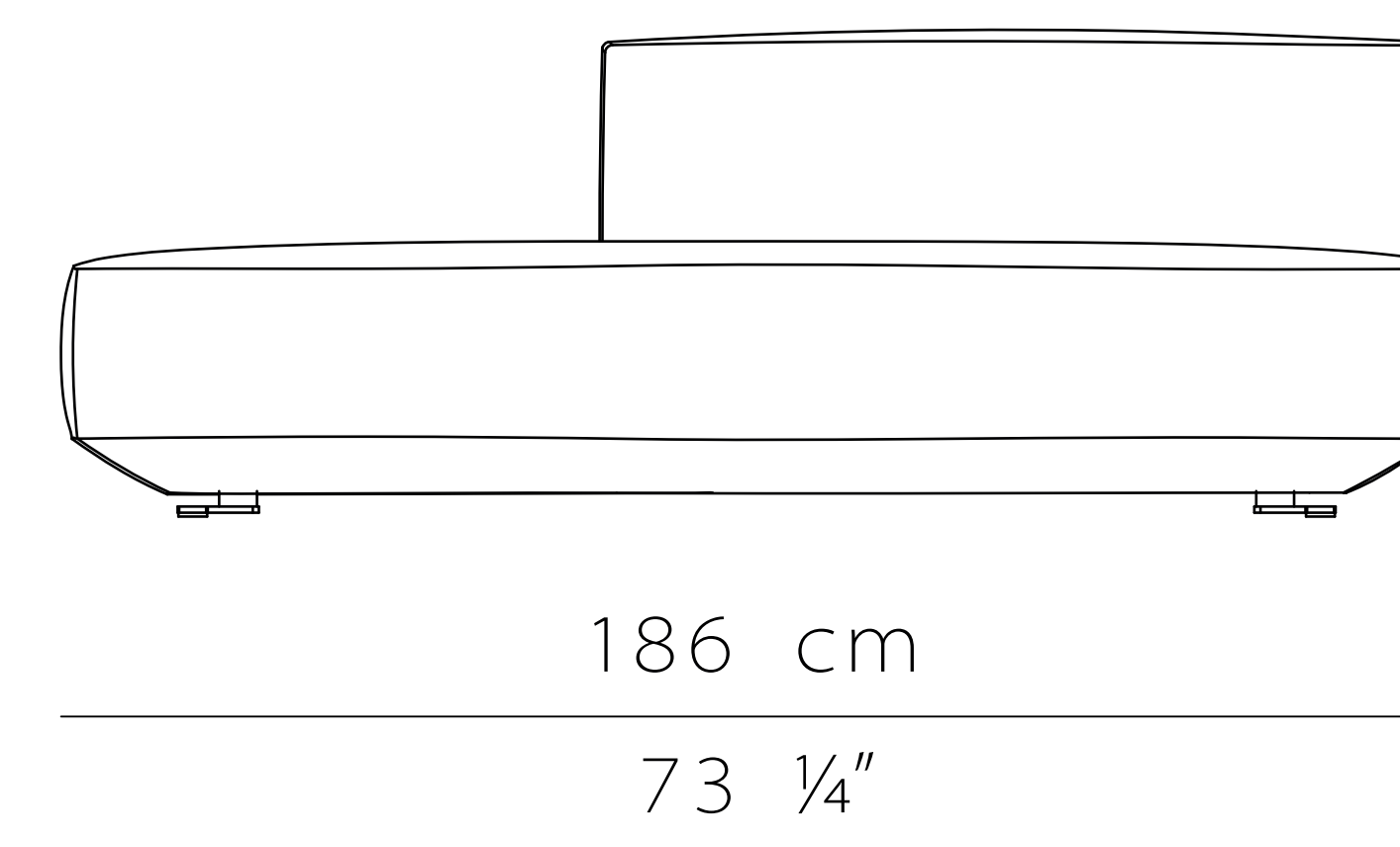
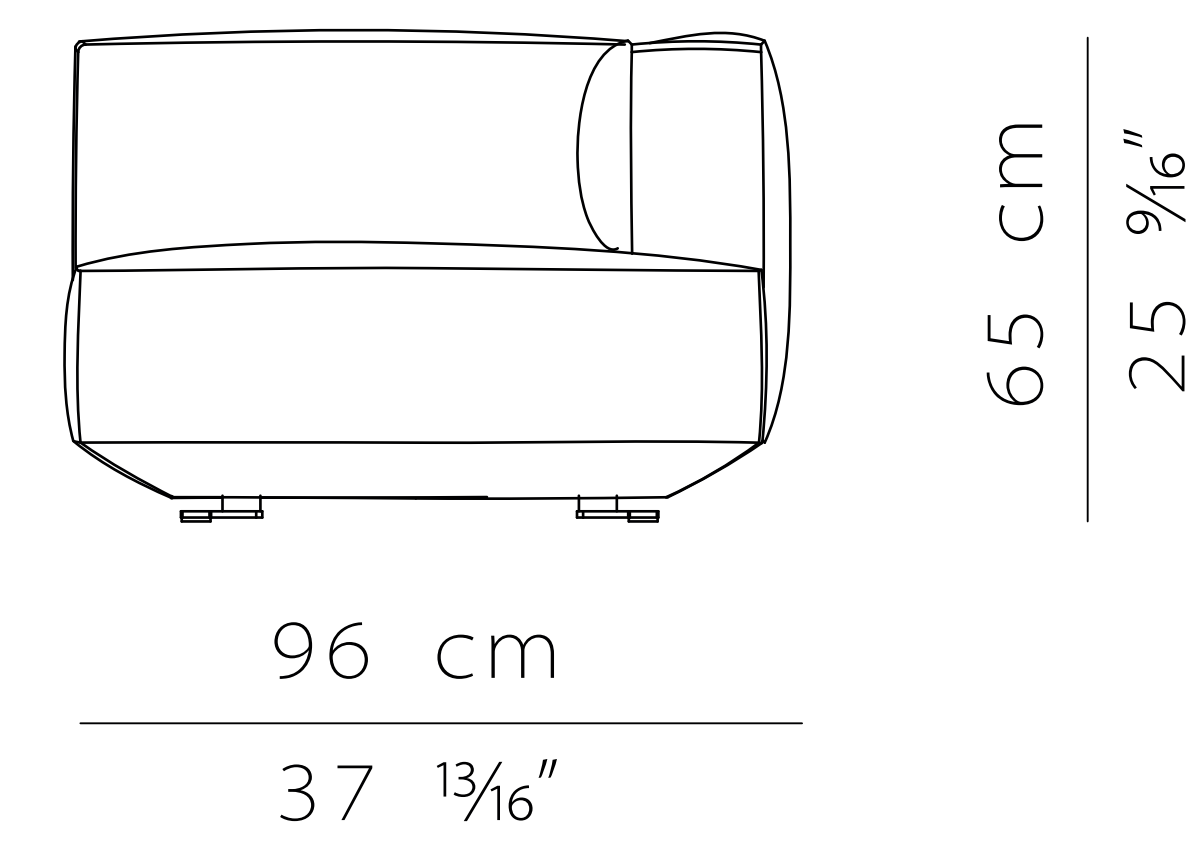
1273/70C



301



AL1 S/D



300P

